

PLAN

LAYOUT PRIOR TO INSTALLATION



CUT

USING STANDARD WOODWORKING TOOLS



FASTEN

USE SUPPLIED STARBORN PRO PLUG[®] SCREWS, OR EXTERIOR #6 - #8 SCREWS



DO NOT STORE

WHERE TEMPERATURES MAY EXCEED 120°



DO NOT COVER

WITH DARK MATERIAL



DO NOT DRAG

COULD SCRATCH MATERIAL



DO NOT INSTALL

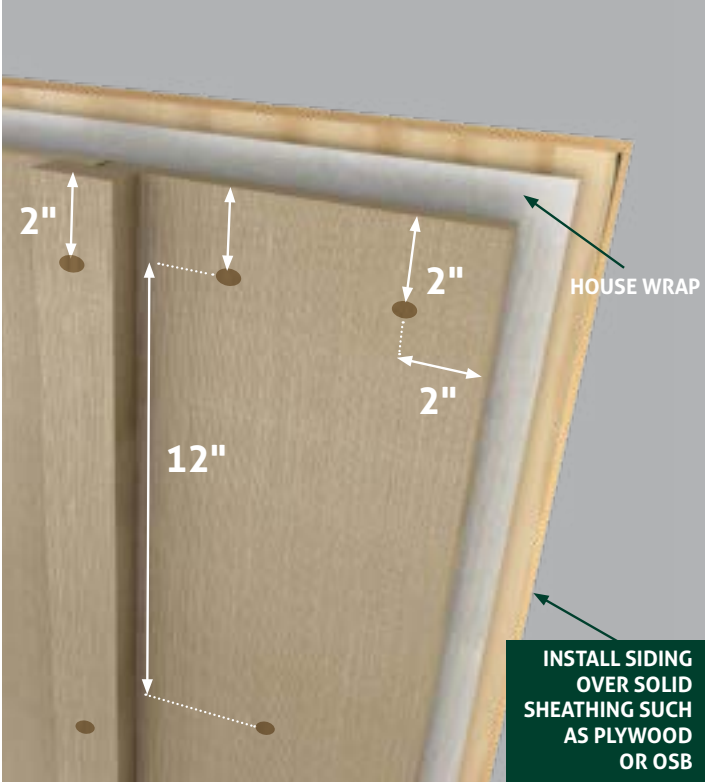
IMPROPERLY COLORED BOARDS & DOUBLE CHECK TO YOUR APPROVED SAMPLES BEFORE INSTALLING



PREPARATION

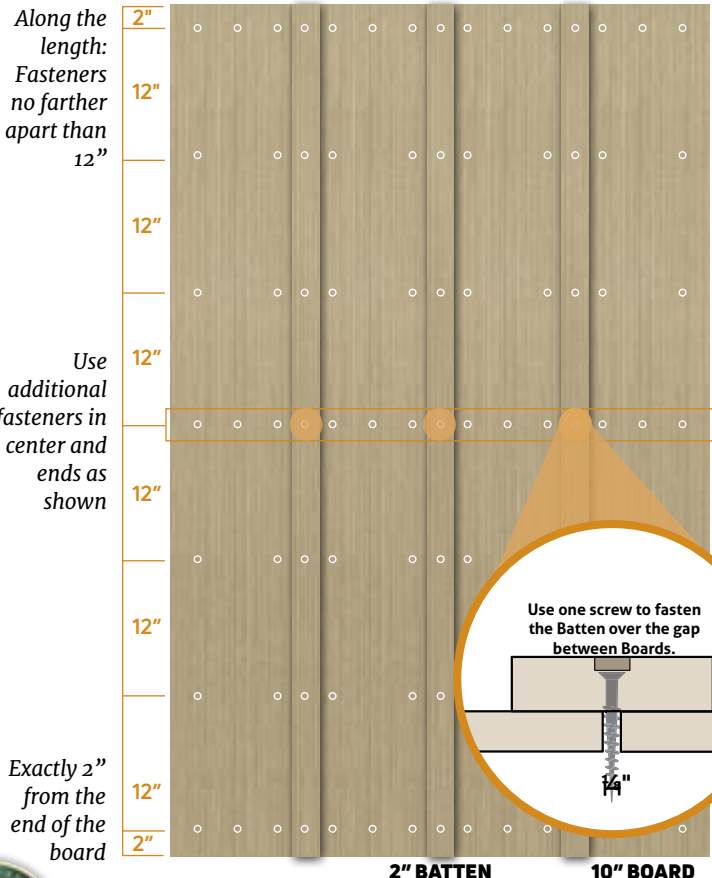
Apply NuCedar products over a properly installed weather resistant barrier (ex. House Wrap) and ensure all wall openings and penetrations are properly flashed in accordance with local building codes and window/door manufacturer's flashing recommendations. The NuCedar cladding system is not a water-tight barrier. It is designed to reduce the amount of water that reaches the underlying weather resistant barrier. All forms of NuCedar Vertical Siding **must be installed over a continuous, flat surface** capable of supporting the use of screws that will restrict temperature related expansion and contraction of the siding (Ex. OSB or Plywood) at least 1/2" thick. NuCedar Vertical Siding cannot be installed over open framing or furring strips.

VERTICAL INSTALLATION FASTENER PLACEMENT



FASTENING

- Starborn PRO PLUG[®] 1-3/8" screws are included with all Vertical Orders. Other approved Fasteners are #6 - #8 screws.
- You may use longer screws than the 1-3/8", however be cautious of materials behind your substrate, e.g. Pipes or Wires. **We highly recommend using the approved fasteners listed, other fasteners have not been tested and may jeopardize the performance of your siding and any claims may be denied.**
- Do not overdrive screws
- Follow the fastening pattern outlined below
- Installing Joints:
 - A Scarf Joint is best for joints (see picture)
 - If installing a Butt Joint, you can Z-Flash with color matched coil stock.
 - Adhesive is not necessary at joints, but if desired, contact us for recommendations.
- Regardless of the board length, make sure to add an extra screw on the ends, and the center of the board, as shown below



NORTHEAST REGION:
PHONE: (800)526-4708



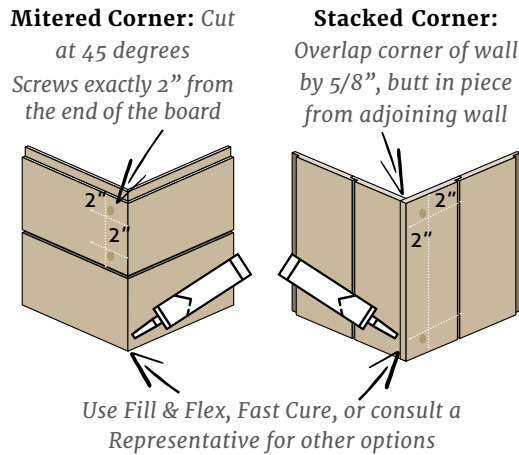
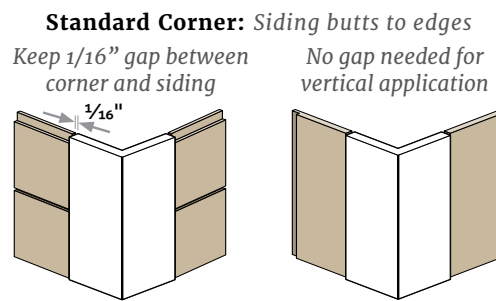
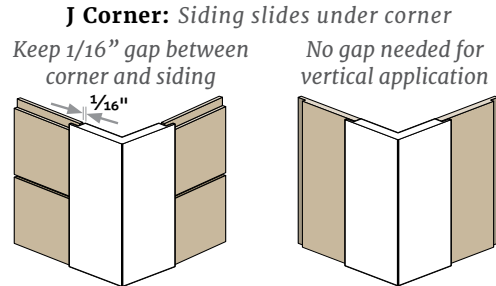
SOUTHEAST REGION:
PHONE: (800)296-0288



CORNER INSTALLATION OPTIONS

HORIZONTAL APPLICATION

VERTICAL APPLICATION



TOUCH-UP AND RE-PAINTING

ALL TOUCH UP PAINT MUST BE SHAKEN VIGOROUSLY TO ENSURE COLOR MATCHES. Always test paint in a small area or scrap piece to ensure desired color. Apply touch-up paint to all cut, planed edges and small damaged areas. To ensure color matches and that heat reflective properties are in the paint, we recommend purchasing paint with us, through your local dealer. However, if needed in a timely manner, use a high-grade exterior latex paint. PPG Permaizer® or PPG Acri-Shield Max® Exterior 100% Acrylic Latex Satin low sheen Paint. Take a sample with you for color matching purposes.

Re-painting NuCedar will void your warranty. If you would like to re-paint, use a high-grade exterior latex paint such as PPG Permaizer® or PPG Acri-Shield Max®. It is recommended that your paint color has a Light Reflective Value (LRV) of 55 units or greater. Prior to touching up or repainting, make sure that the surface area is properly cleaned and prepared according to manufacturer's specifications.

CARE AND MAINTENANCE

NuCedar products can be safely cleaned using a mixture of water and mild detergent or a mild household cleaner. Remove mold/mildew using a mild commercial mold/mildew remover. Examples are a 10:1 bleach mixture or products such as Wet&Forget® or Simple Green®. Be sure to test a small area before applying everywhere. NuCedar can be lightly sprayed or cleaned with a house brush (high pressure power washers could destroy the Rough Sawn texture, please consult a rep before deciding to do this) to remove dust and debris. Refer to manufacturer's instructions.

YOU MUST FOLLOW THE INSTALLATION INSTRUCTIONS IN THIS MANUAL TO MAINTAIN PRODUCT WARRANTY

In order to secure your warranty, please visit our website to register your product: gardenstatelumber.com/NuCedar/technical/warranty/ For additional copies and revisions, go to gardenstatelumber.com/NuCedar.

